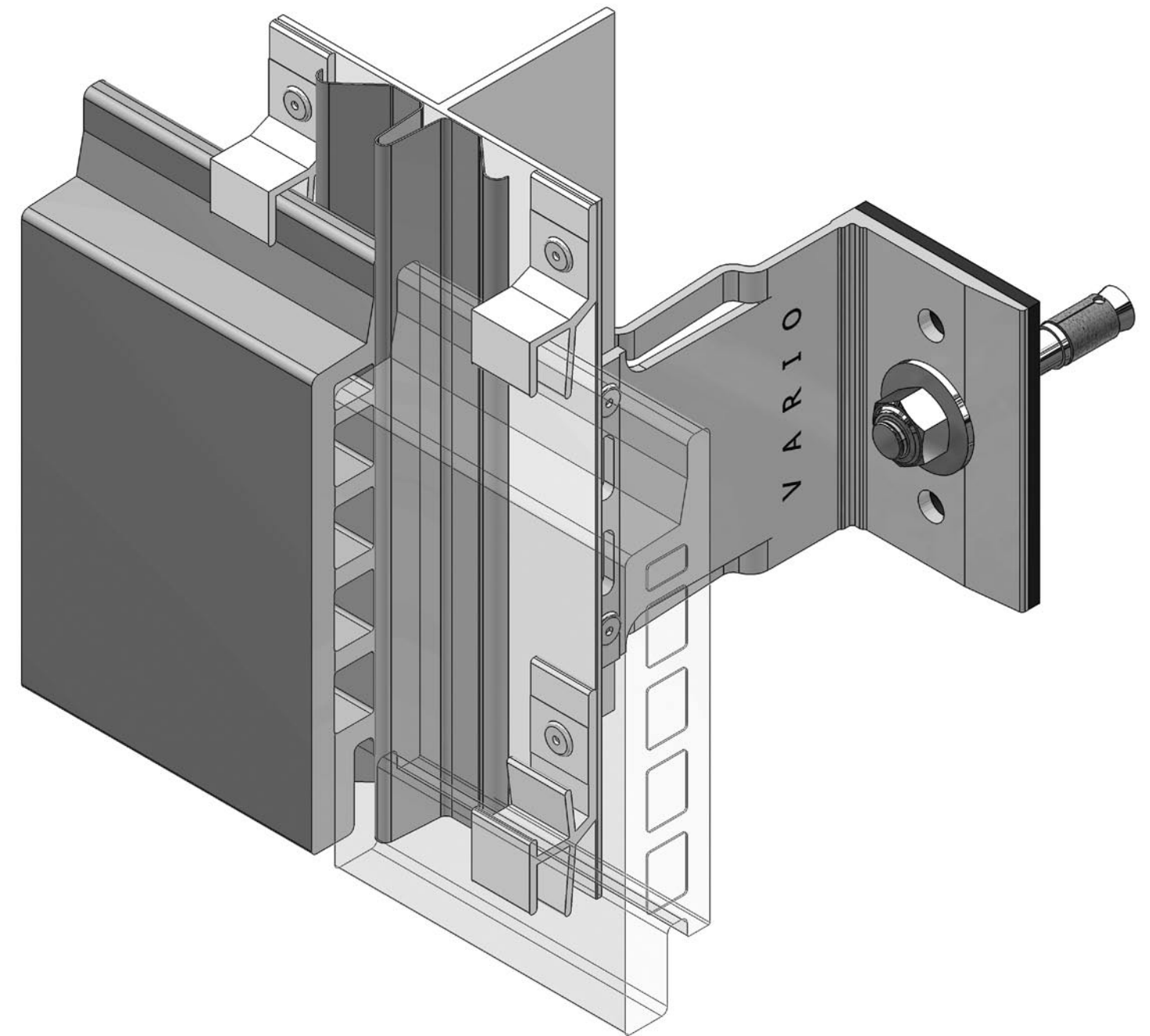


**VENTILATED  
FAÇADE SYSTEM  
FOR MOUNTING  
CERAMIC TILES  
ARGETON**

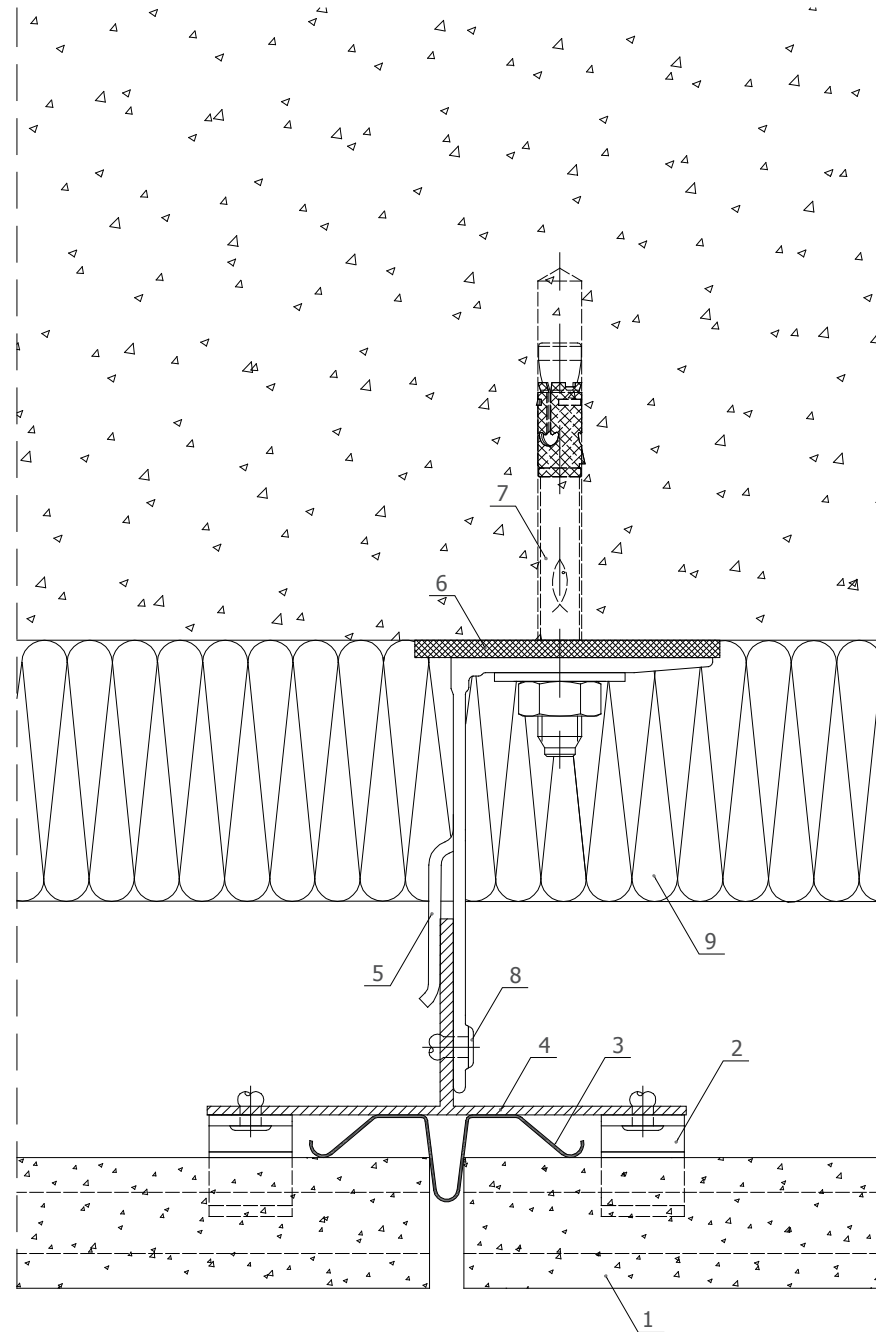


VARIO



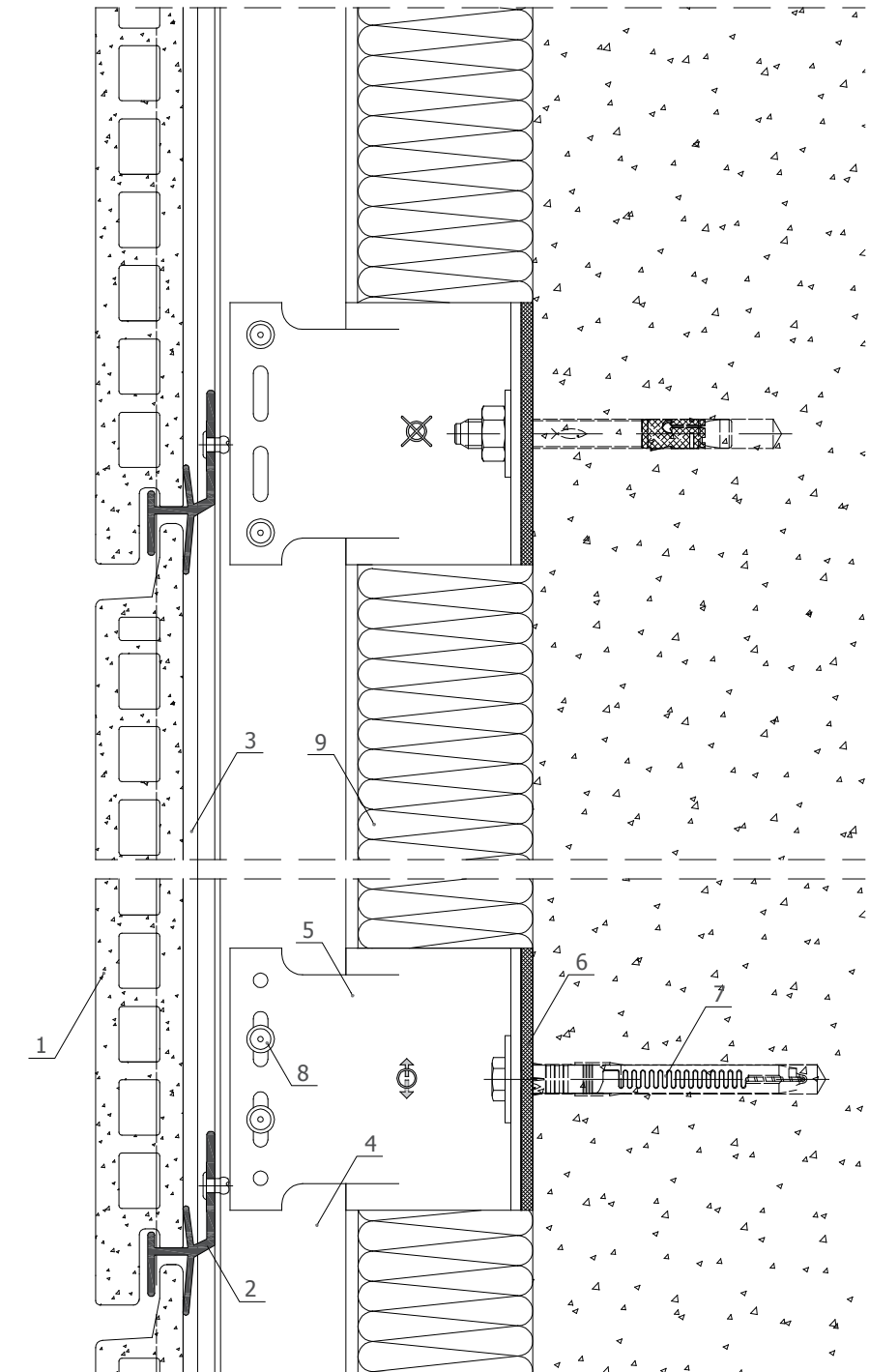
VARIO

## detail 1 - Argeton



1. ceramic Argeton
2. hanger
3. drip profile
4. main profile
5. fixing bracket - 100mm
6. thermo-insulation pad
7. anchor
8. rivet 4.8x12
9. thermal insulation

## detail 2 - Argeton



1. ceramic Argeton
2. hanger
3. drip profile
4. main profile
5. fixing bracket - 100mm
6. thermo-insulation pad
7. anchor/plug
8. rivet 4.8x12
9. thermal insulation

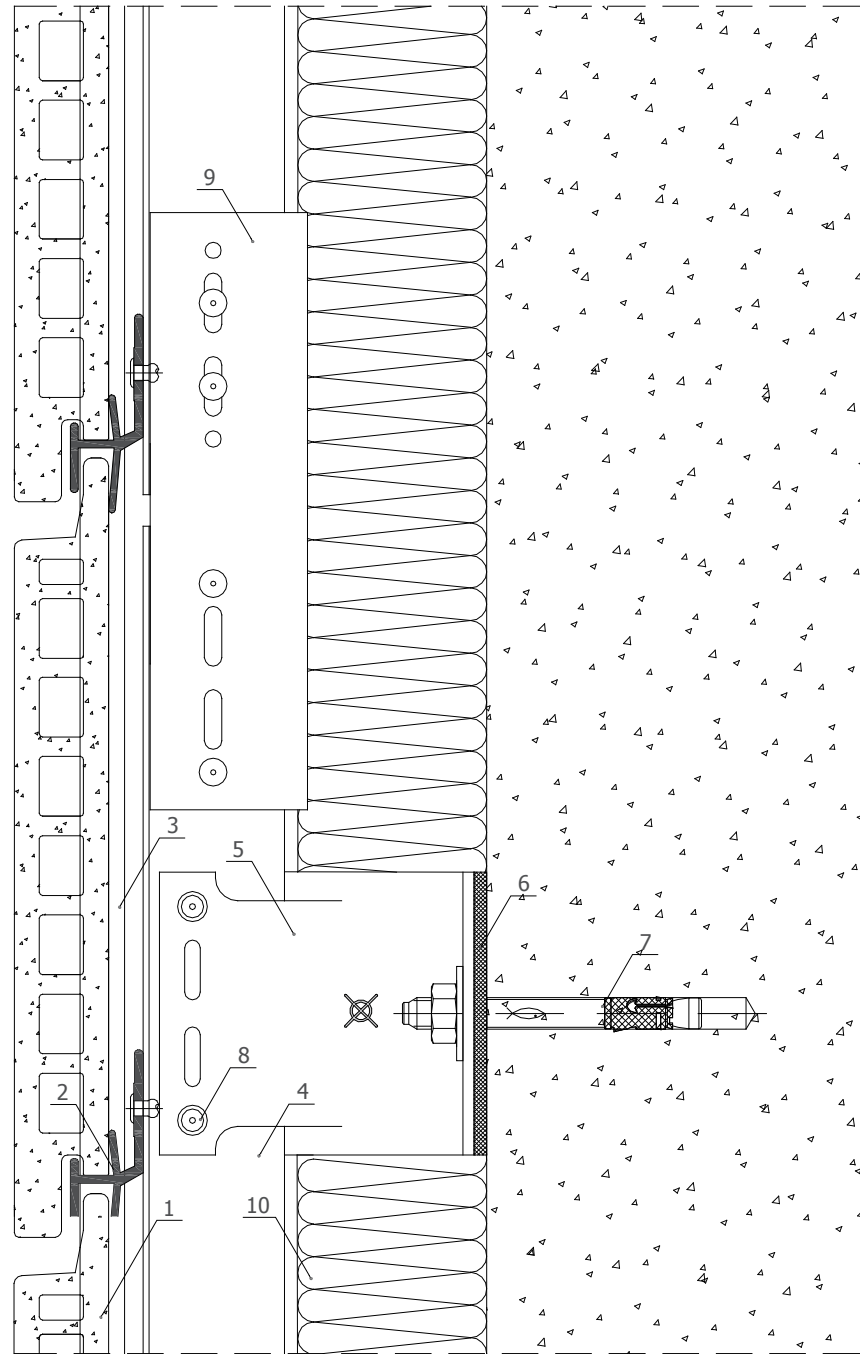
03/2010

The engineering design of this product is an intellectual property of ETEM Building Systems .  
Copying and distributing any parts of the product is a violation of the copyright law.

03/2010

The engineering design of this product is an intellectual property of ETEM Building Systems .  
Copying and distributing any parts of the product is a violation of the copyright law.

## detail 2.1 - Argeton

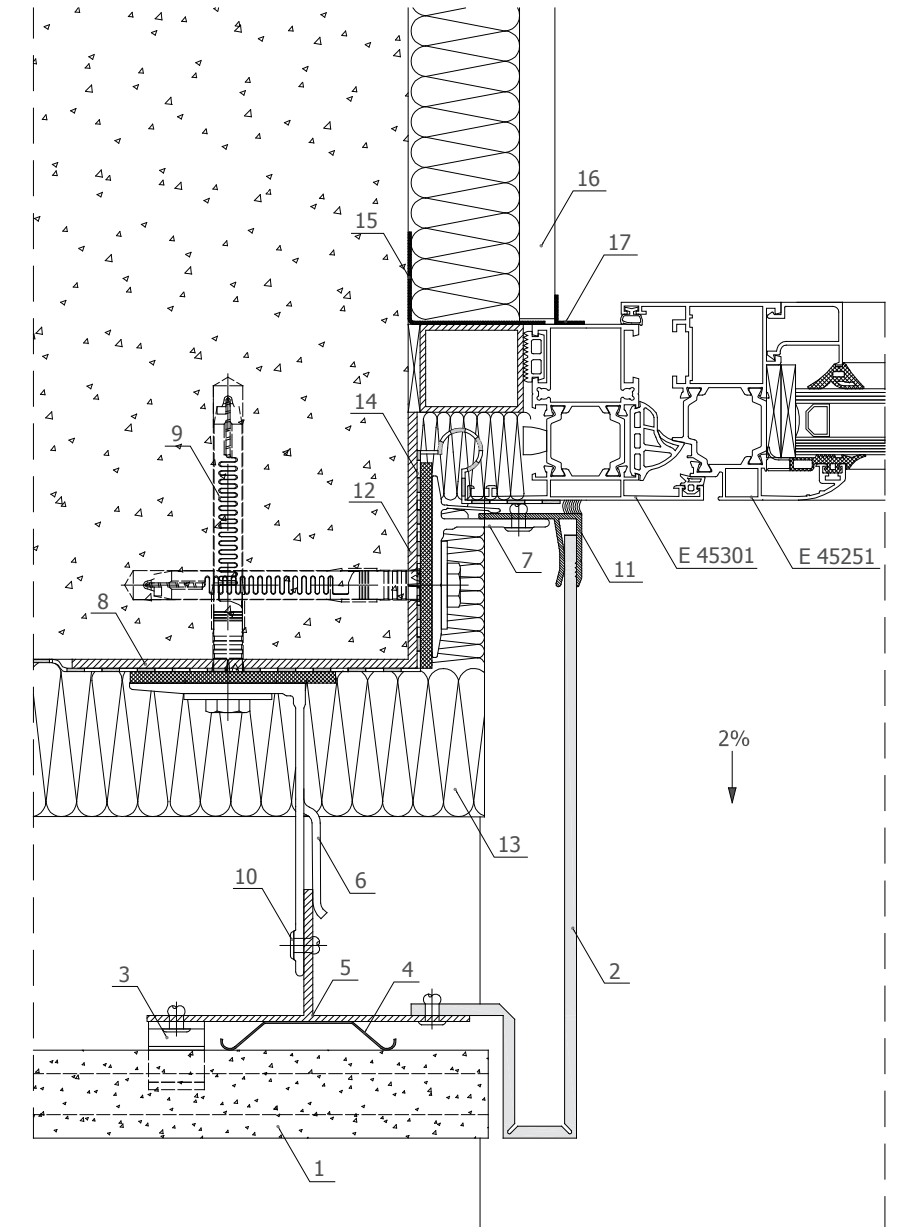


1. ceramic Argeton
2. hanger
3. drip profile
4. main profile
5. fixing bracket - 100mm
6. thermo-insulation pad
7. rivet 4.8x12
8. anchor
9. joint profile
10. thermal insulation

03/2010

The engineering design of this product is an intellectual property of ETEM Building Systems .  
Copying and distributing any parts of the product is a violation of the copyright law.

## detail 3 - Argeton

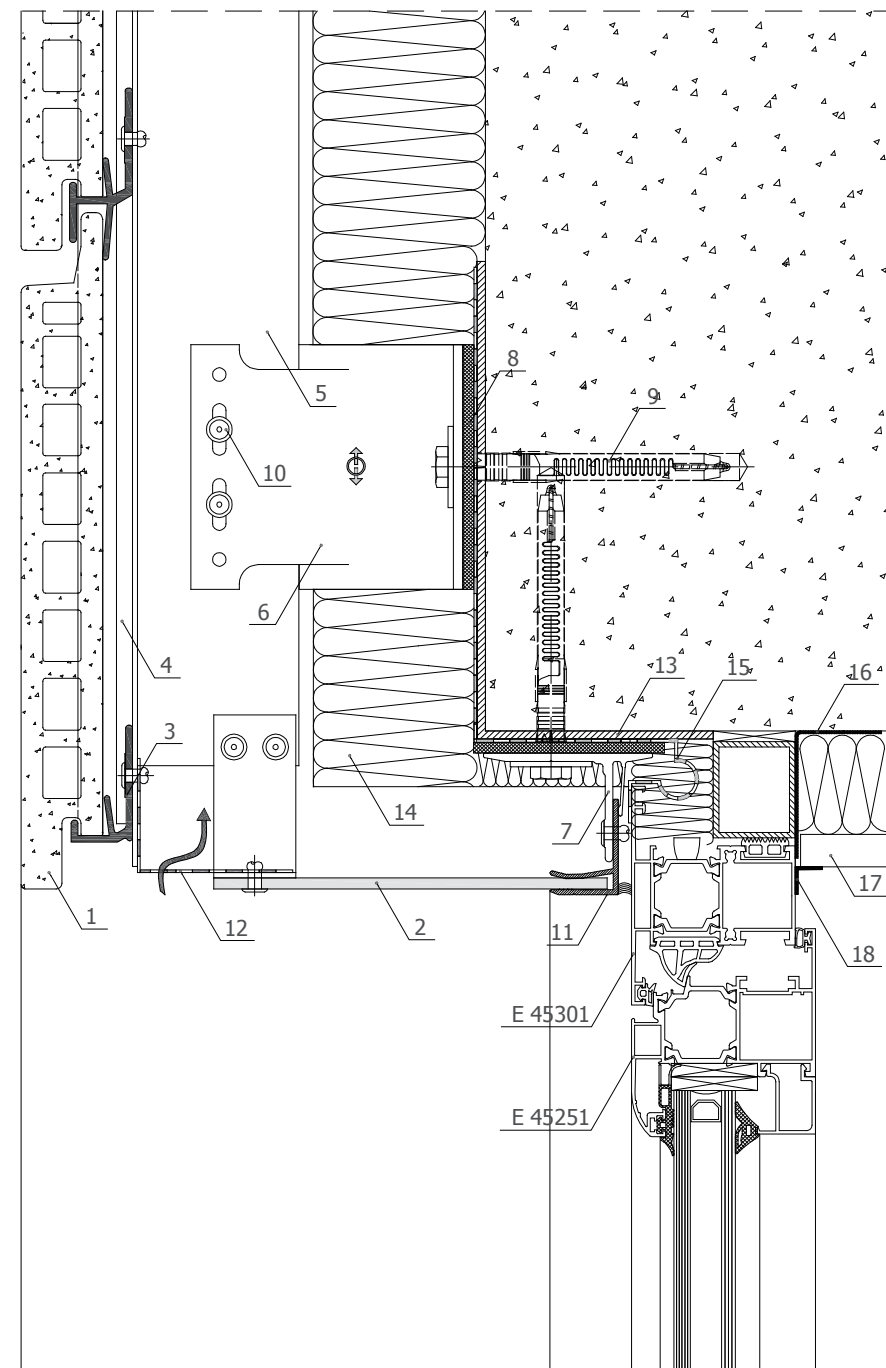


1. ceramic Argeton
2. etalbond<sup>®</sup>
3. hanger
4. drip profile
5. main profile
6. fixing bracket - 100mm
7. fixing bracket - 40mm
8. thermo-insulation pad
9. rivet 4.8x12
10. anchor/plug
11. F profile
12. aluminum sheet - 3mm
13. thermal insulation
14. waterproofing
15. steamproofing membrane
16. plasterboard
17. decorative PVC profile

03/2010

The engineering design of this product is an intellectual property of ETEM Building Systems .  
Copying and distributing any parts of the product is a violation of the copyright law.

## detail 4 - Argeton

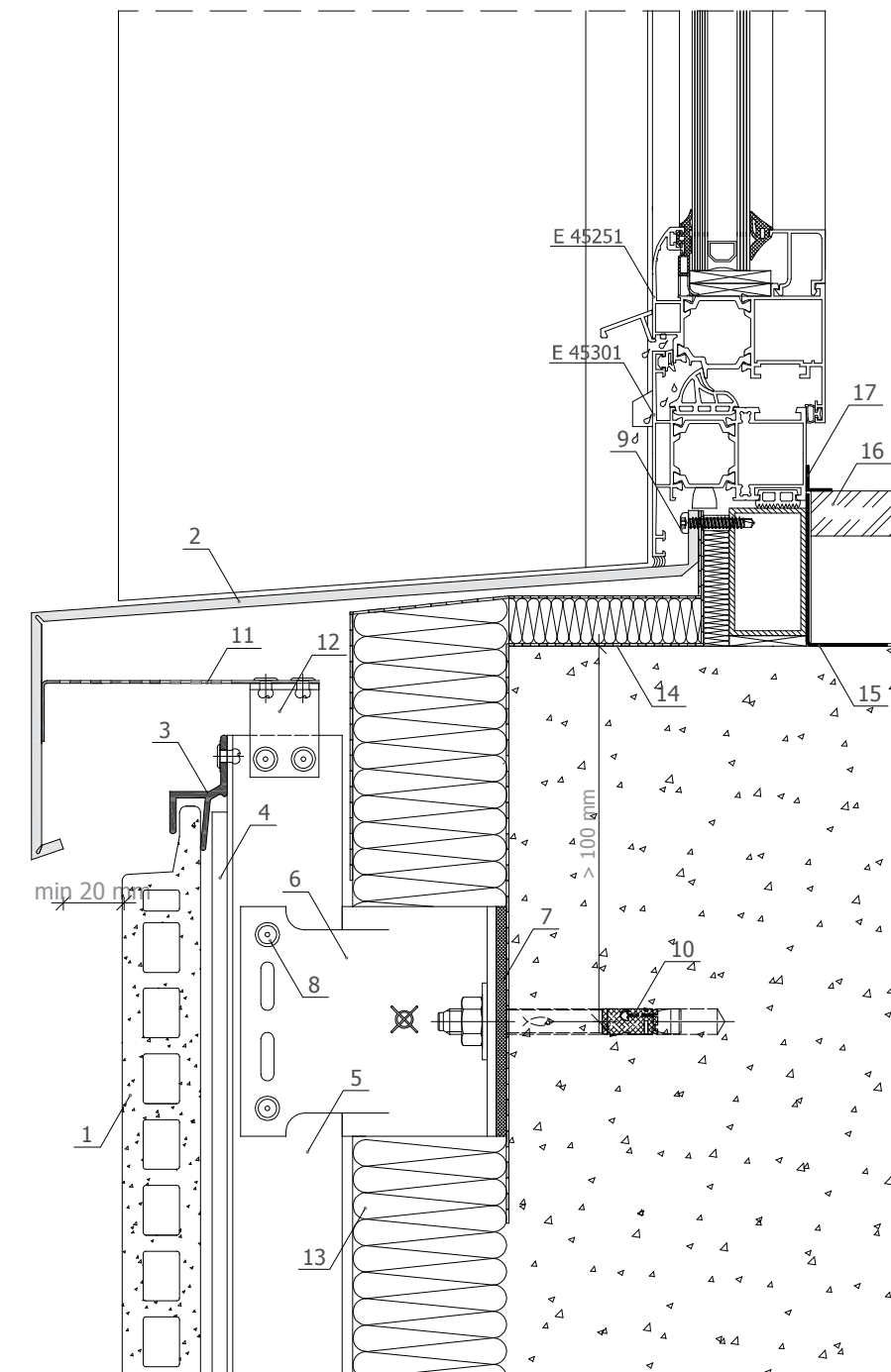


1. ceramic Argeton
2. etalbond®
3. hanger
4. drip profile
5. main profile
6. fixing bracket - 100mm
7. fixing bracket - 40mm
8. thermo-insulation pad
9. plug
10. rivet 4.8x12
11. F profile
12. perforated metal sheet
13. aluminum sheet - 3mm
14. thermal insulation
15. waterproofing
16. steamproofing membrane
17. plasterboard
18. decorative PVC profile

03/2010

The engineering design of this product is an intellectual property of ETEM Building Systems .  
Copying and distributing any parts of the product is a violation of the copyright law.

## detail 5 - Argeton

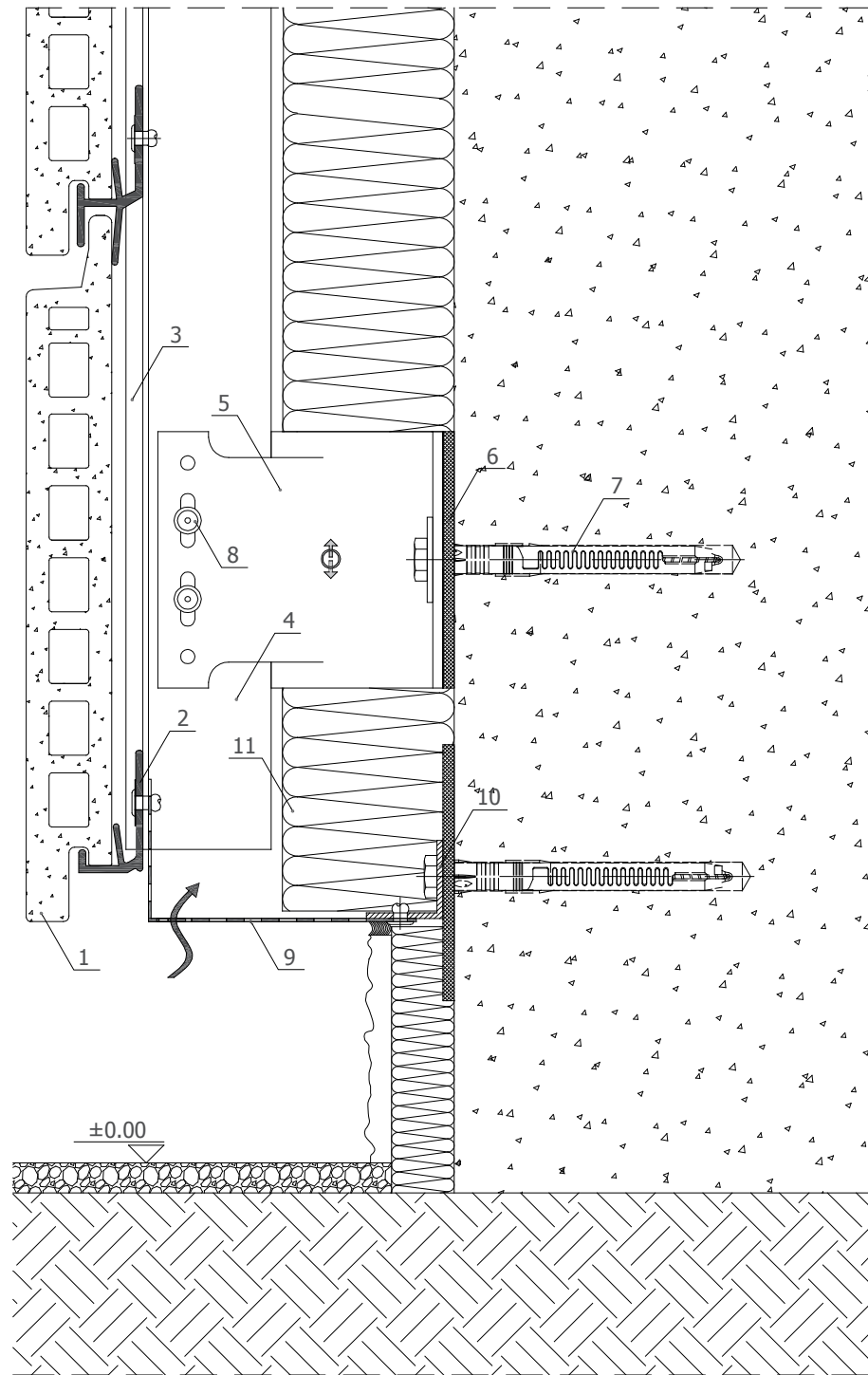


1. ceramic Argeton
2. etalbond®
3. hanger
4. drip profile
5. main profile
6. fixing bracket - 100mm
7. thermo-insulation pad
8. rivet 4.8x12
9. self drilling screw - 4.2x26
10. anchor
11. perforated metal sheet
12. L profile
13. thermal insulation
14. waterproofing
15. steamproofing membrane
16. drip sill
17. decorative PVC profile

03/2010

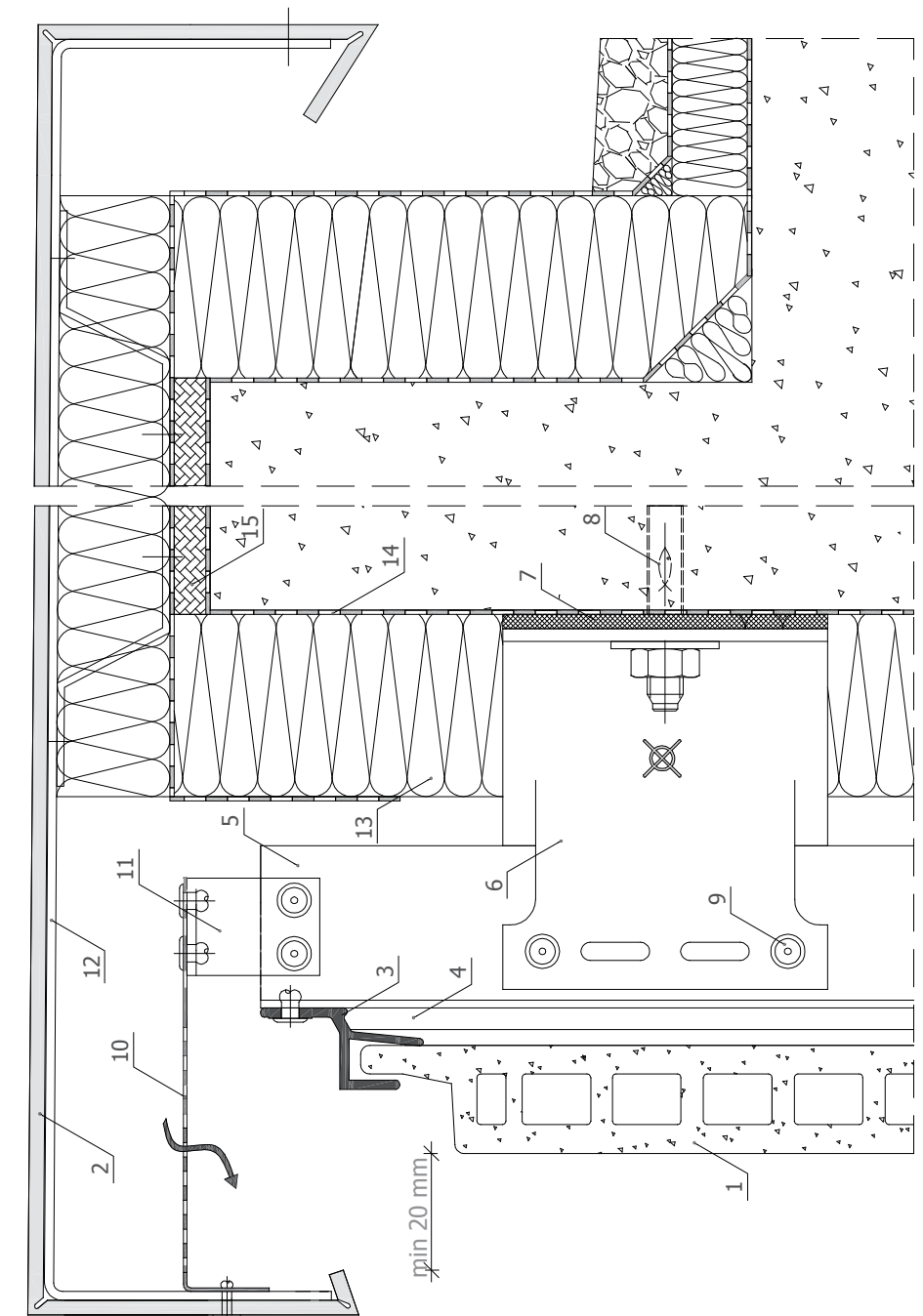
The engineering design of this product is an intellectual property of ETEM Building Systems .  
Copying and distributing any parts of the product is a violation of the copyright law.

## detail 6 - Argeton



1. ceramic Argeton
2. hanger
3. drip profile
4. main profile
5. fixing bracket - 100mm
6. thermo-insulation pad
7. rivet 4.8x12
8. anchor
9. perforated metal sheet
10. L profile
11. thermal insulation

## detail 7 - Argeton



1. ceramic Argeton
2. etalbond®
3. hanger
4. drip profile
5. main profile
6. fixing bracket - 100mm
7. thermo-insulation pad
8. anchor
9. rivet 4.8x12
10. perforated metal sheet
11. L profile
12. aluminum sheet - 3mm
13. thermal insulation
14. waterproofing
15. plywood

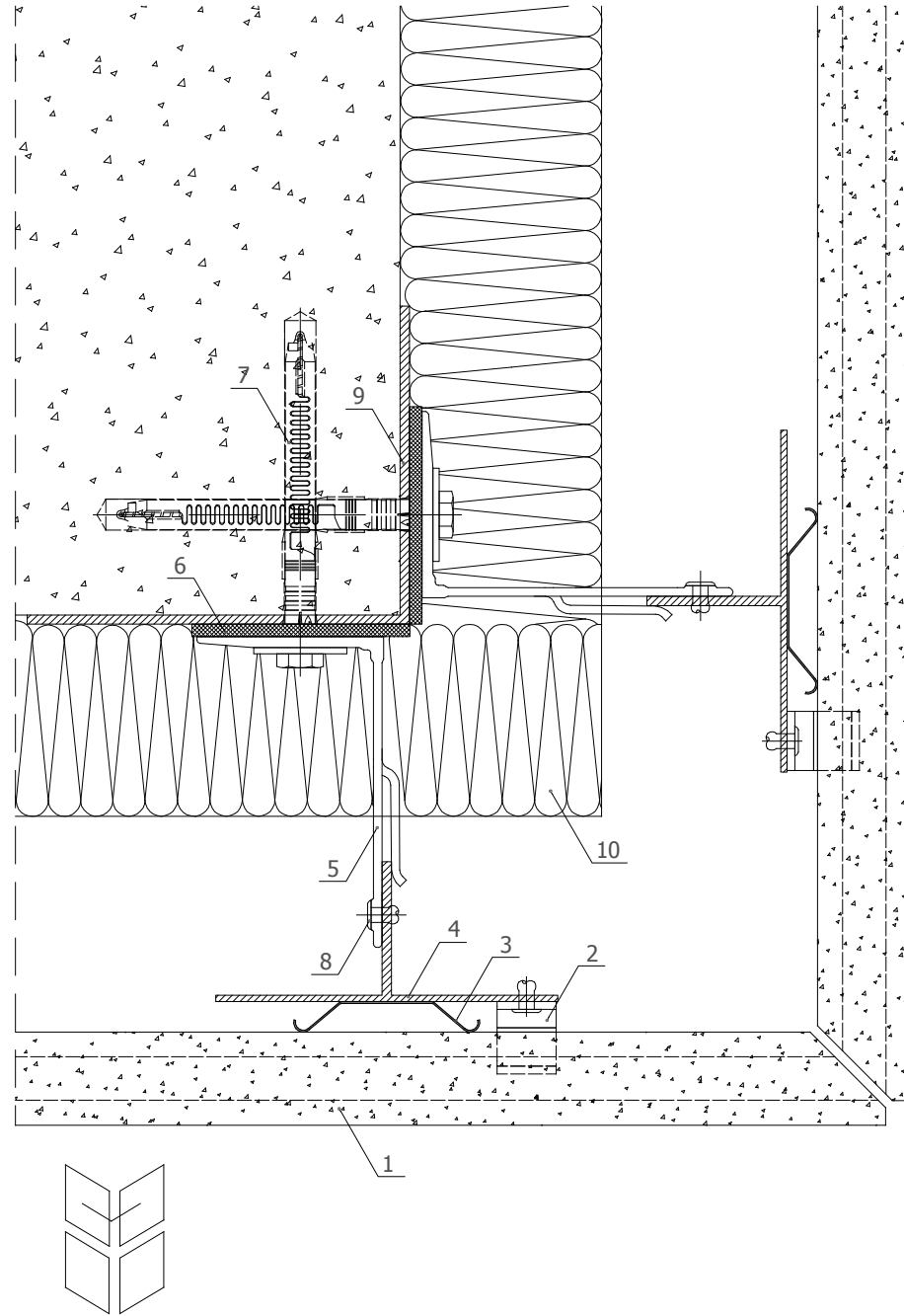
03/2010

The engineering design of this product is an intellectual property of ETEM Building Systems .  
Copying and distributing any parts of the product is a violation of the copyright law.

03/2010

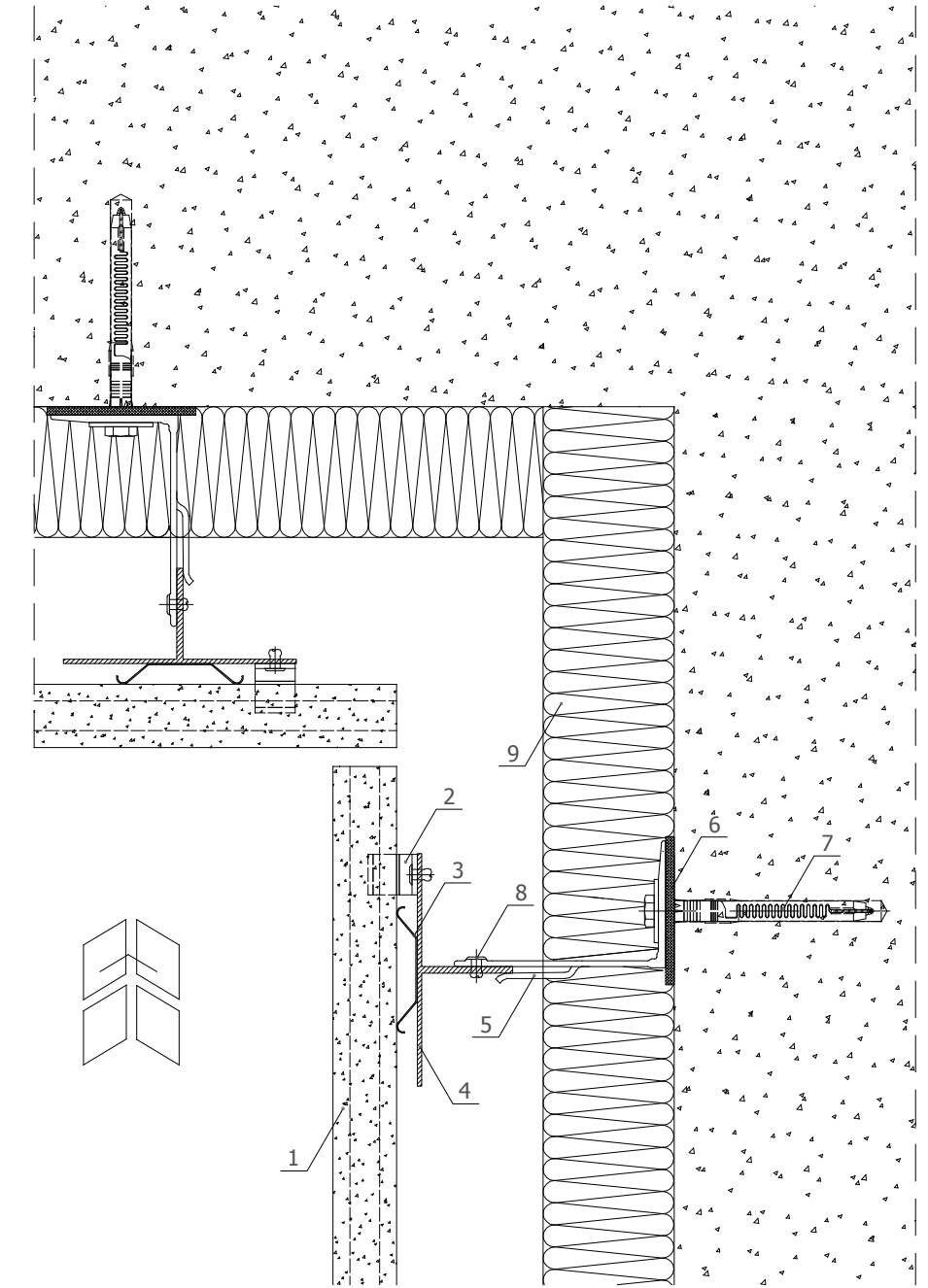
The engineering design of this product is an intellectual property of ETEM Building Systems .  
Copying and distributing any parts of the product is a violation of the copyright law.

## detail 8 - Argeton



1. ceramic Argeton
2. hanger
3. drip profile
4. main profile
5. fixing bracket - 100mm
6. thermo-insulation pad
7. plug
8. rivet 4.8x12
9. aluminum sheet - 3mm
10. thermal insulation

## detail 9 - Argeton



1. ceramic Argeton
2. hanger
3. drip profile
4. main profile
5. fixing bracket - 100mm
6. thermo-insulation pad
7. plug
8. rivet 4.8x12
9. thermal insulation

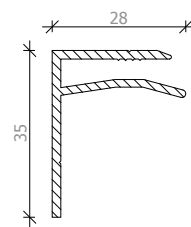
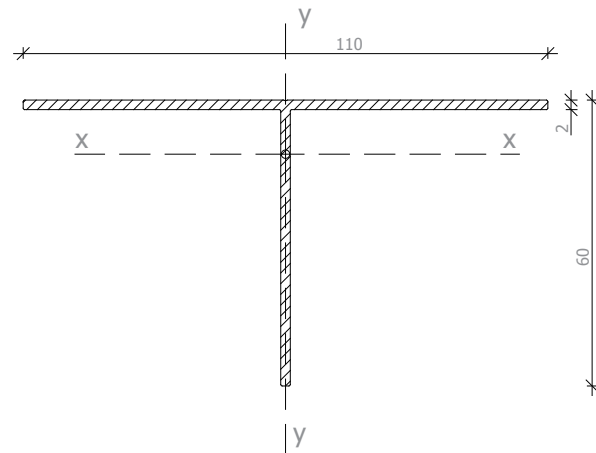
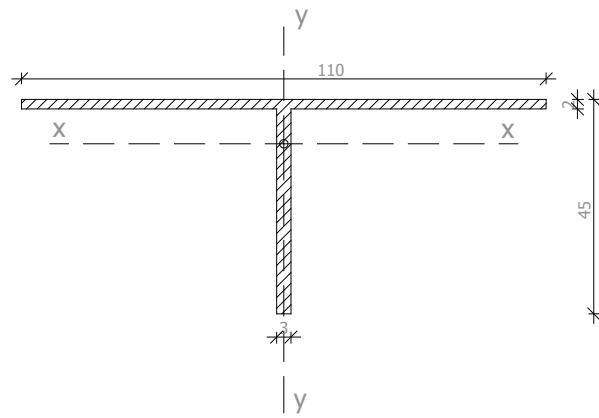
03/2010

The engineering design of this product is an intellectual property of ETEM Building Systems .  
Copying and distributing any parts of the product is a violation of the copyright law.

03/2010

The engineering design of this product is an intellectual property of ETEM Building Systems .  
Copying and distributing any parts of the product is a violation of the copyright law.

# main profile

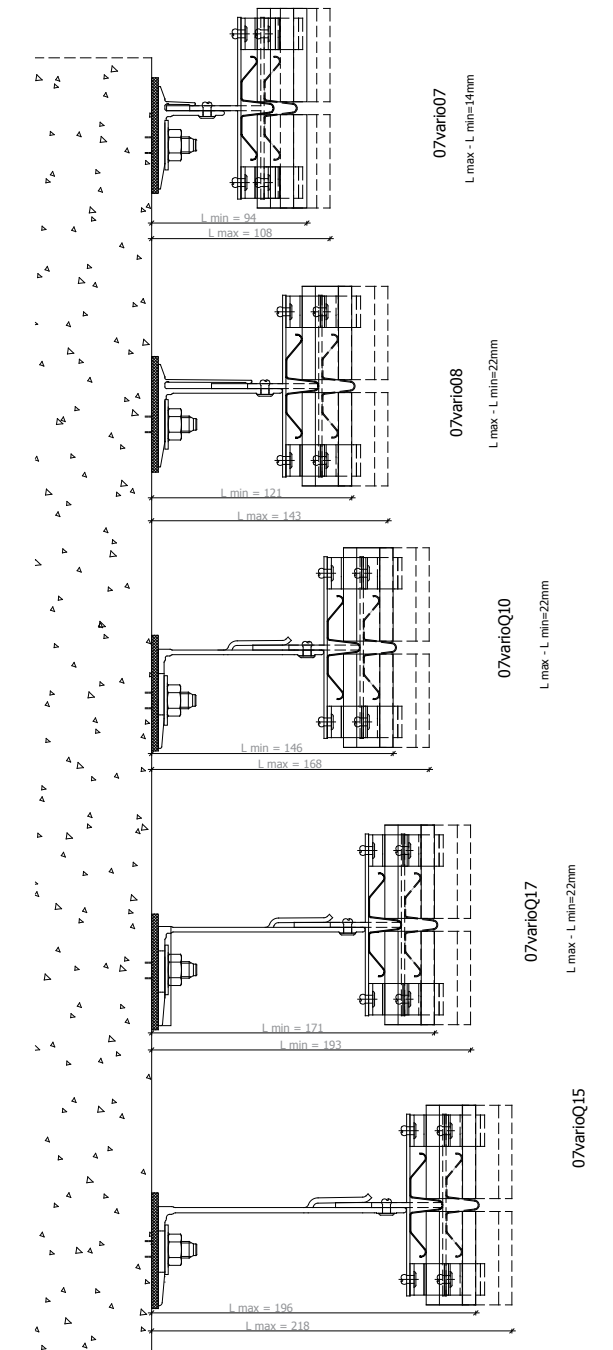


Profile 33470  
 Weight 942g/m  
 $I_x = 6.11 \text{ cm}^4$   
 $W_x = 1.71 \text{ cm}^3$   
 $I_y = 22.19 \text{ cm}^4$   
 $W_y = 4.03 \text{ cm}^3$   
 $A = 3.49 \text{ cm}^2$

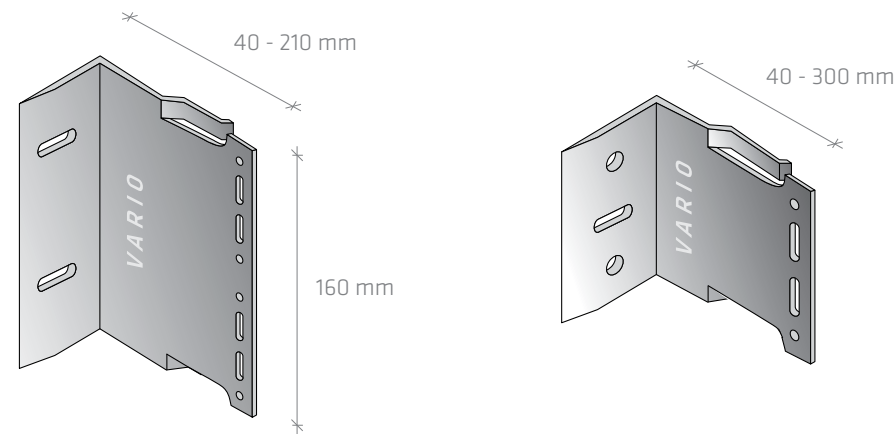
Profile 33548  
 Weight 906.9g/m  
 $I_x = 10.06 \text{ cm}^4$   
 $W_x = 1.83 \text{ cm}^3$   
 $I_y = 22.16 \text{ cm}^4$   
 $W_y = 4.62 \text{ cm}^3$   
 $A = 3.35 \text{ cm}^2$

Profile 31064  
 Weight 392 g/m

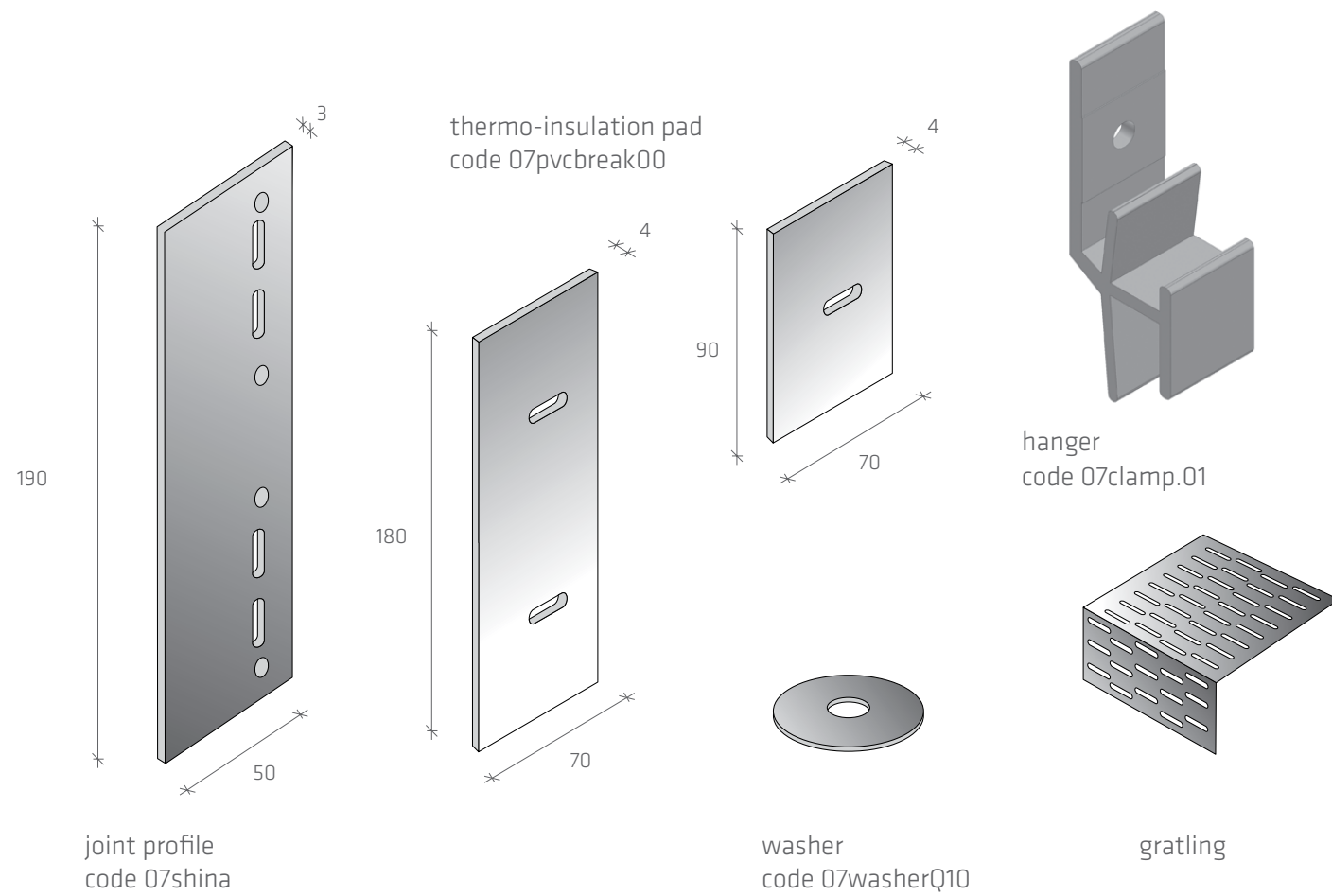
# mounting distance from the construction base of profile - 33470



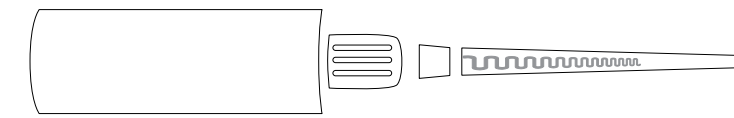
## fixing bracket



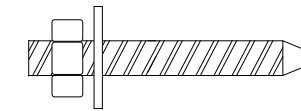
## accessories



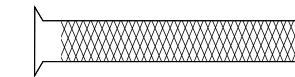
## fastening elements



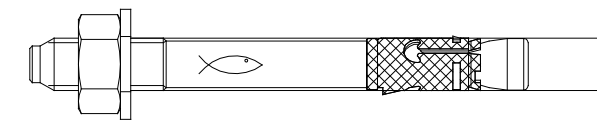
chemical anchor



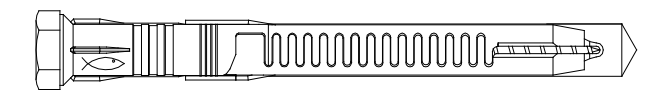
threaded rod



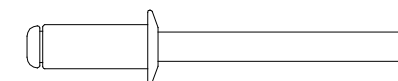
plastic sieve



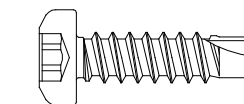
anchor



plug



rivet



self drilling screw

03/2010

The engineering design of this product is an intellectual property of ETEM Building Systems. Copying and distributing any parts of the product is a violation of the copyright law.



03/2010

The engineering design of this product is an intellectual property of ETEM Building Systems. Copying and distributing any parts of the product is a violation of the copyright law.

